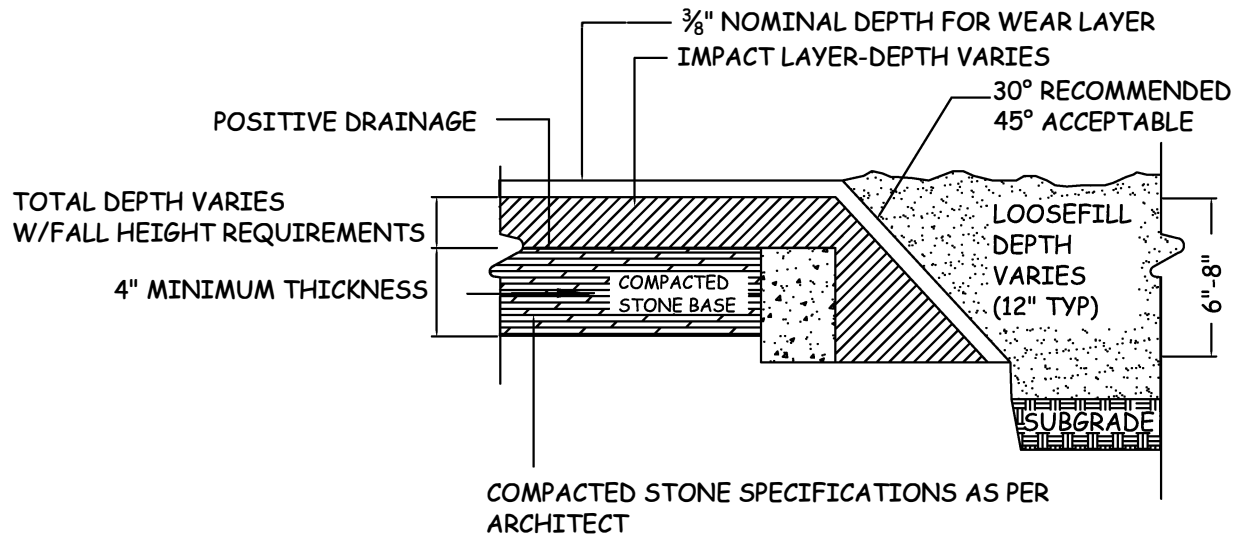


NO FAULT SAFETY SURFACING
DETAIL SHEET "G"
SLOPED SOFT SHOULDER EDGE OVER CONCRETE BASE
ADJACENT TO LOOSE FILL



NOT TO SCALE

NOTES:

Loose fill as per manufacturer recommendations to be installed after No Fault Safety Surface installation.

Industry Standard for border 6"-8"; 4"-8" is acceptable.

Soft edge details are not designed to meet ADA requirements.

DISCLAIMER:

No Fault Sport Group LLC reserves the right to modify these edge details at anytime. It is the responsibility of the owner/architect/general contractor to verify the validity of these details.



No Fault Sport Group LLC
3112 Valley Creek Drive, Suite C
Baton Rouge, LA 70808
Toll Free: 866-637-7678
www.nofault.com